

## Neo Super Cascom Error 13 Abnormal Low pressure

Most case this error from Lab's **COMPRESSOR** fails , not from Neo Super Cascom itself.

**(Please find out the Air leaking poit First ! After the chamber inverted)**

Please check lists,

- 1, If ARGON pressure or AIR pressure is selected, Please switch to **AIR pressure** if argon selected by mistake
- 2, Check output PSI, it should be between 74-146psi.
- 3, Raise output pressure more if other equipment share compressor.
- 4, Air pressure test , please watch if gage spikes up 0.1 and goes to min 0.3
- 5, **Check for Air leaking in hose, seal ring , thermocouple , valves , drain filters AGAIN!**

Also, How to test pressure to the Neo Super Cascom machine.

Step1 : **POWER ON**

Step2 : Close chamber lid and manually invert chamber 180 degrees.

Step3: Press and Hold down **ON + TEMP** buttons at the same time

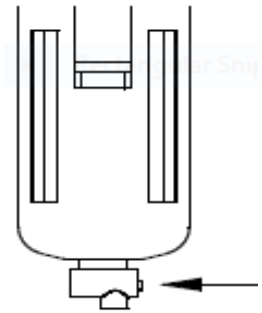
Step4 : watch the pressure guide gage to JUMP to at least **.15Mpa**.

Please do maintenance for the Neo Super Cacsom and Lab's compressor machine.

( releasing the accumulated water or oil)

① for Neo Super Cascom

Press the button at the bottom of drain filter (← marked on the right) to drain the moisture gathered inside the drain filter. We recommend you to drain the moisture each time before using the unit, regardless of the amount of moisture collected. If you use the unit with the moisture collected over the allowable level, the moisture will come in contact inside the unit to cause machine malfunction when you apply pressure.



② for Lab's compressor machine

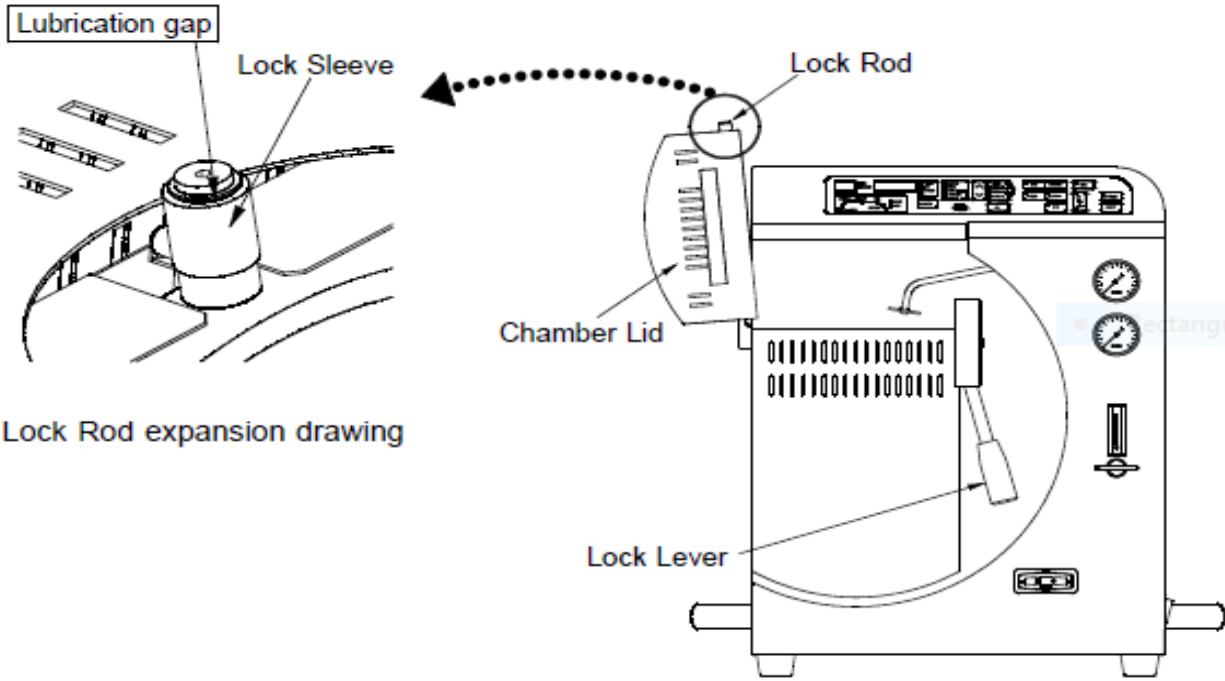
please check inside tank and release the water or oils, then test it again ( Step 1-4)

Conceivable order items ( **All parts order go through by dealers**)

- **NEOSM213** Seal Ring (Lid rubber portion)



- **NEOSM209** Lock Lever / **NEOSM206** Lock Sleeve / **NEOSM205** Lock Rod



Lock Rod expansion drawing

After inverted the chamber, presser into the chamber at the same time slightly open the lid. With this means that already loose the locking lid.

- **NEOSM010** Thermocouple Assy  
please check the thermocouple is burned out ? Or made a tiny hole ?

